

SNACK AIR 4 GN 2/3 | 4 GN 1/1

TECHNICAL SPECIFICATIONS



**SNACK AIR
4 GN 2/3
upper opening**

**SNACK AIR
4 GN 1/1
upper opening**

Capacity GN	4 x GN 2/3	4 x GN 1/1
Distance between guides (mm)	75	75
Recommended for (n) servings per day	80-180	60-360
Maximum temperature (°C)	260	260
Dimensions (width x depth x height) (mm)	620 x 690 x 522	760 x 760 x 522
Weight (kg)	49	57
Packaging dimensions (width x depth x height) (mm)	830 x 770 x 900	900 x 830 x 1070
Gross weight (kg)	61	69
Power (kW)	3,6	6,3
Tension (V/Ph/Hz)	230/L+N/50-60	400/3L+N/50-60
Drainage	No drainage	No drainage

GENERAL SPECIFICATIONS

LED control panel
 Temperature and time regulation
 One cooking mode:

- Convection from 30°C to 260°C

 Preheat. Automatic pre-heating
 SteamOut. Removal of humidity from the cooking chamber
 Fan Plus. Homogeneous cooking thanks to the bi-directional 1-speed turbines
 8 direct-access programmes
 40 Programmes + 3 Cooking phases in each programme
 LED chamber illumination
 Visible and audible cooking completion alert
 Door opening positioner
 Fan stop when door is opened
 Low-emissivity Double-Glass Door
 Easy-to-clean L-brackets
 Handle and plastic components feature anti-bacterial treatment
 Highly resistant AISI 304 18/10 stainless steel cooking chamber fully welded with rounded edges
 Ingress Protection IPX4
 Manual regeneration

OPTIONS

Voltage 230V/L+N/50-60 (only models 4 GN 1/1)

Voltage 230V/3L/50-60 (only models 4 GN 1/1)

ACCESSORIES

WiFi connection. Includes:

- Cloud. Create, save or modify recipes and send them to the oven
- Remote control of the oven from a smartphone or tablet
- Voice control of the oven compatible with Google Home

Special trays for each baking

Pressure reducer kit

Stacking kit

Steam condensation hood

Support with GN 1/1 guides

Support with GN 1/1 guides for stacking

Adjustable leg kit

Cleaning shower kit

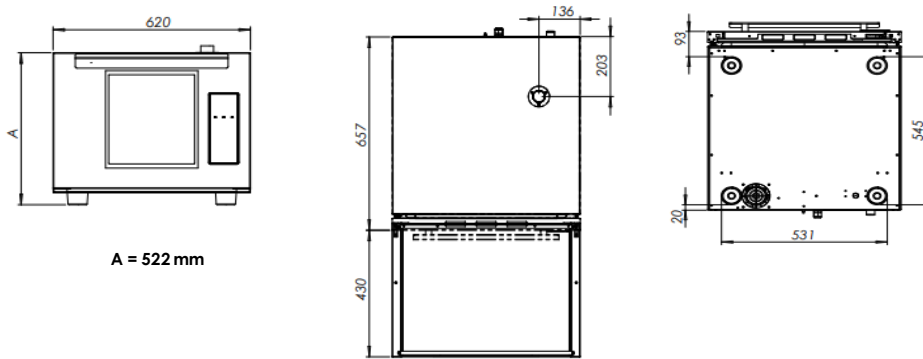
Chimney Steam Diverter Kit

Detergent DA21

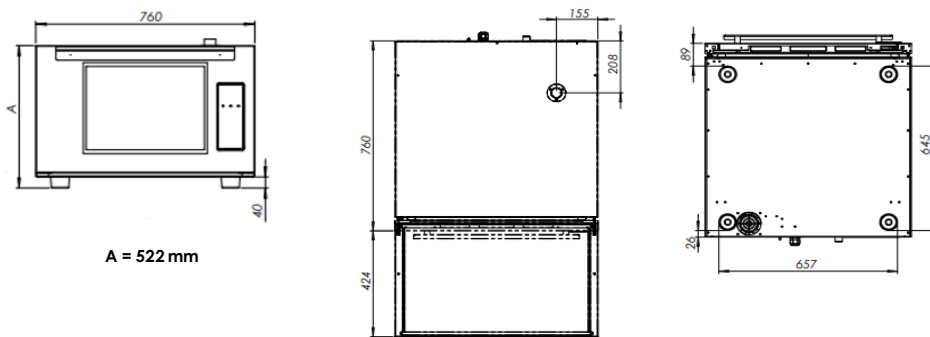
Sprayer

INSTALLATION DETAILS

SNACK AIR 4 GN 2/3 upper opening



SNACK AIR 4 GN 1/1 upper opening



SAFETY DISTANCES

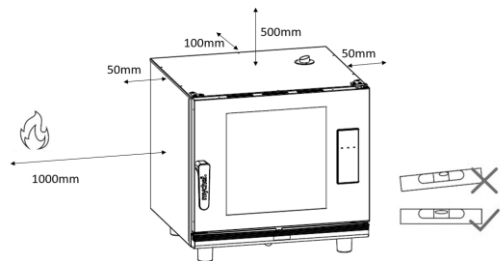
Sides = 50 mm

Rear = 100 mm

Upper = 500 mm

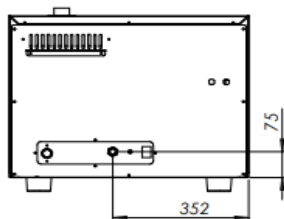
Heat sources = 1000 mm

It must be completely level

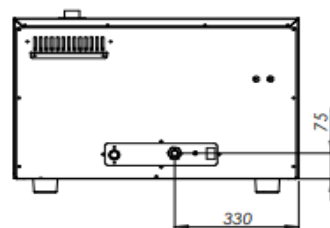


ELECTRICAL SUPPLY

4 GN 2/3



4 GN 1/1



Model	Voltage	Power (kW)	Rated current (A)	Wire Type
4 GN 2/3	230/L+N/50-60	3,6	15,7	H07RN-F 3G 1.5
	230/L+N/50-60	6,3	27,4	H07RN-F 3G 4.0
4 GN 1/1	230/3L /50-60	6,3	17,3	H07RN-F 4G 2.5
	400/3L+N /50-60	6,3	10,0	H07RN-F 5G 1.5